

1,000, 2,000, 4,000, 6,000 & 8,000 lb. cap. Fixed Leg A-Frame Portable Aluminum Gantry Cranes

All of ELS fixed leg A-Frame Gantries are able to be rolled while loaded. We design, engineer and manufacture all over our products at our facility ELS. Our fixed A Frame gantry crane is built entirely from 6061 T6 Structural Aluminum making it light weight and portable.

Standard Portable Gantry Crane Features 1k, 2k, 4k, 6k, and 8k (3k Gantries available upon request.) 1,000, 2,000, 4,000, 6,000 and 8,000 lb. capacities

From 8' 8" to 14' heights under beam (14' up to 4,000

Lb) Structural 6061 T6 aluminum construction

5-7 position adjustable heights depending upon model

Fully adjustable leg widths

4-position locking polyurethane casters at 90 degrees

Optional Portable Gantry Crane Features:

Height adjustment winches (2) Not shown above

Optional caster brakes

Optional casters styles (steel wheels, etc.)

Optional custom size I-beam lengths

Optional custom heights upon request

Optional hoists, trolleys

Optional cart assembly



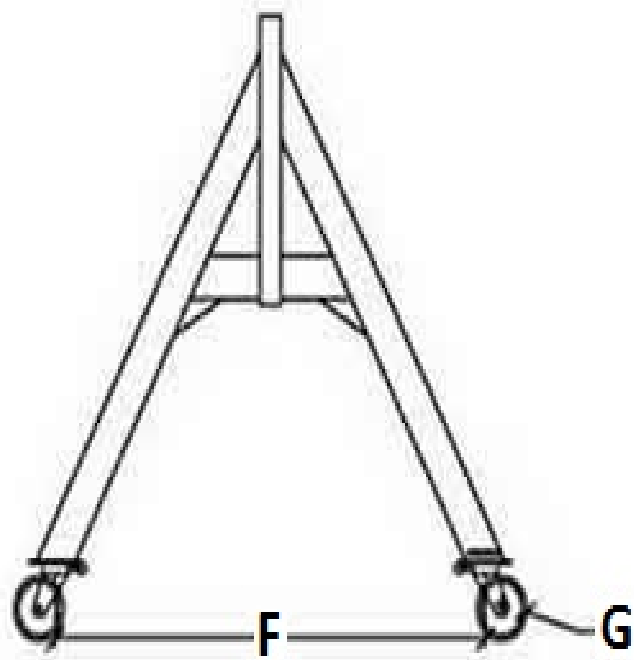
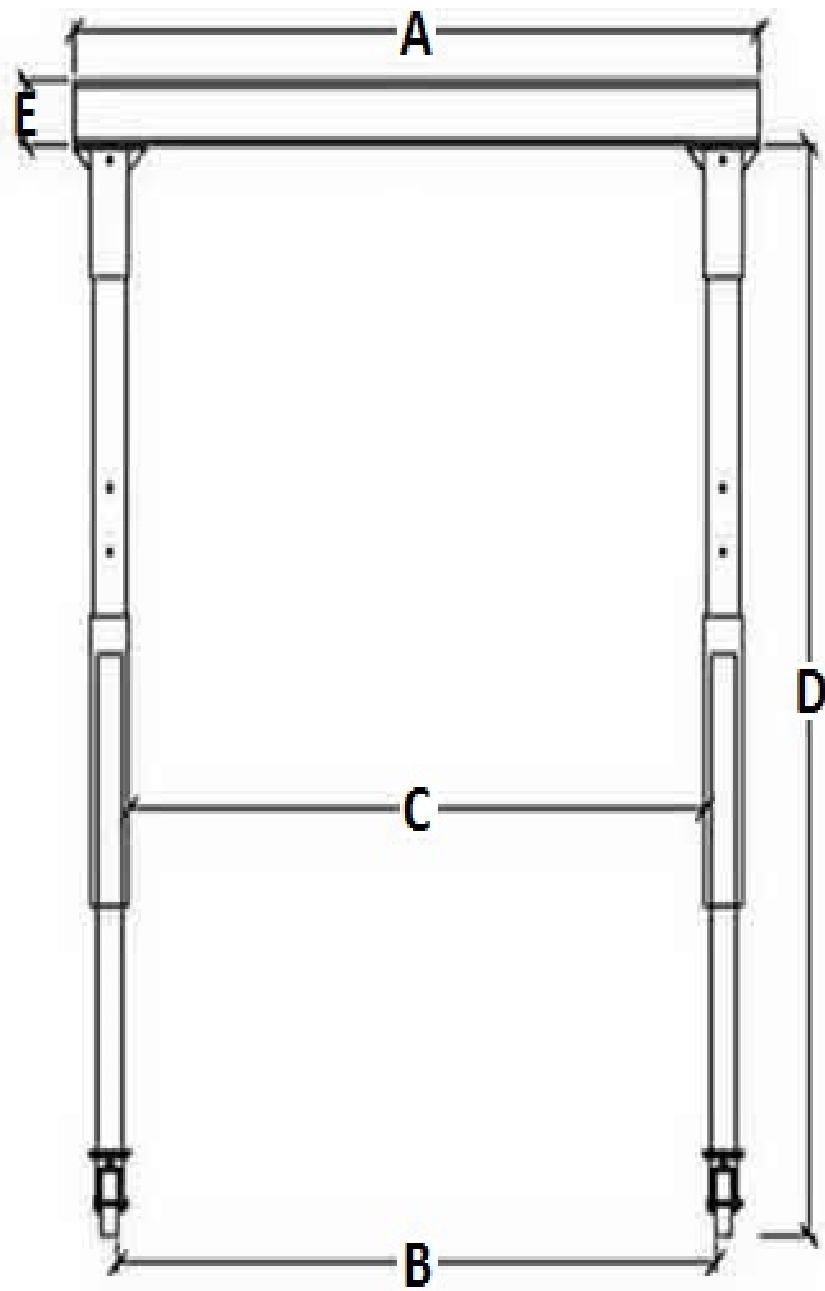
Standards Models Chart

Capacity (Lbs.)	A Overall Span	B Span Between Wheels	C Clearance Span	D Max. Height Under Beam	D Min. Height Under Beam	E I-Beam Depth	F Wheel Tread	G Caster Dia. (4 Pos.) Locking	Est. Weight (Lbs)	Model #
1,000	8'0"	7'0 3/4"	6'11"	8'8"	6'2"	4"	4'6"	5"	139	A1P8104F
	8'0"	7'0 3/4"	6'11"	10'0"	7'6"	4"	4'6"	5"	144	A1P810F
	8'0"	7'0 3/4"	6'11"	12'0"	9'6"	4"	4'6"	5"	180	A1P812F
	10'0"	9'0 3/4"	8'11"	8'8"	6'2"	6"	4'6"	5"	156	A1P10104F
	10'0"	9'0 3/4"	8'11"	10'0"	7'6"	6"	4'6"	5"	161	A1P1010F
	10'0"	9'0 3/4"	8'11"	12'0"	9'6"	6"	4'6"	5"	197	A1P1012F
	12'0"	11'0 3/4"	10'11"	8'8"	6'2"	8"	4'6"	5"	188	A1P12104F
	12'0"	11'0 3/4"	10'11"	10'0"	7'6"	8"	4'6"	5"	193	A1P1210F
	12'0"	11'0 3/4"	10'11"	12'0"	9'6"	8"	4'6"	5"	230	A1P1212F
	15'0"	14'0 3/4"	13'11"	8'8"	6'2"	8"	4'6"	5"	207	A1P15104F
	15'0"	14'0 3/4"	13'11"	10'0"	7'6"	8"	4'6"	5"	212	A1P1510F
	15'0"	14'0 3/4"	13'11"	12'0"	9'6"	8"	4'6"	5"	249	A1P1512F
	18'0"	17'0 3/4"	16'11"	8'8"	6'2"	10"	4'6"	5"	319	A1P18104F *
	18'0"	17'0 3/4"	16'11"	10'0"	7'6"	10"	4'6"	5"	323	A1P1810F *
	18'0"	17'0 3/4"	16'11"	12'0"	9'6"	10"	4'6"	5"	360	A1P1812F *
	20'0"	19'0 3/4"	18'11"	8'8"	6'2"	10"	4'6"	5"	342	A1P20104F *
	20'0"	19'0 3/4"	18'11"	10'0"	7'6"	10"	4'6"	5"	346	A1P2010F *
	20'0"	19'0 3/4"	18'11"	12'0"	9'6"	10"	4'6"	5"	383	A1P2012F *

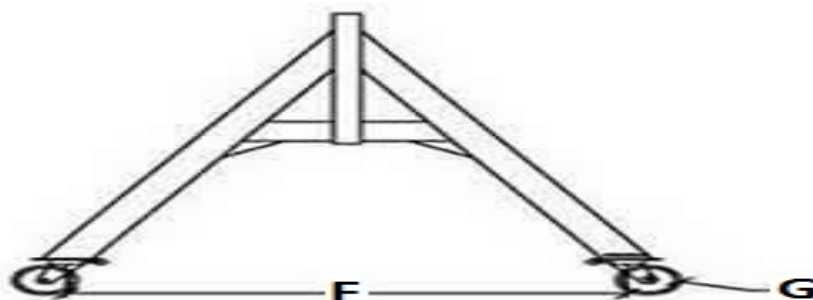
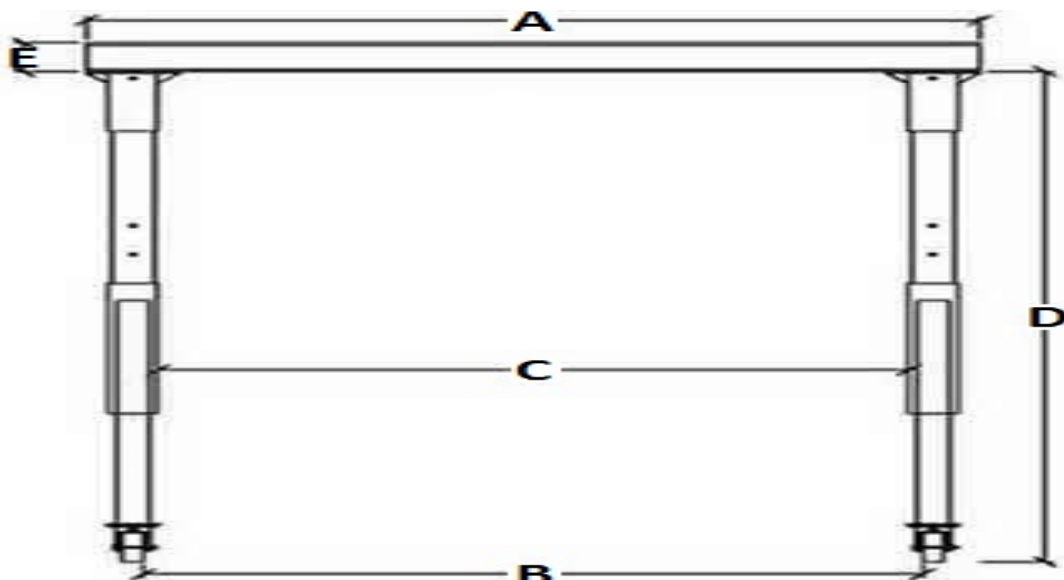
* Capped I Beam

Options	Cart Assembly	4	CA15
	Caster Brakes		CB
	Kick Stand Assembly		KSA
	Custom Hole Spacing's		CHS
	Swirled Finish's		SF
	Custom I-Beam Lengths		IBL
	Custom Heights		CH

Ask about our gantry upgrades!

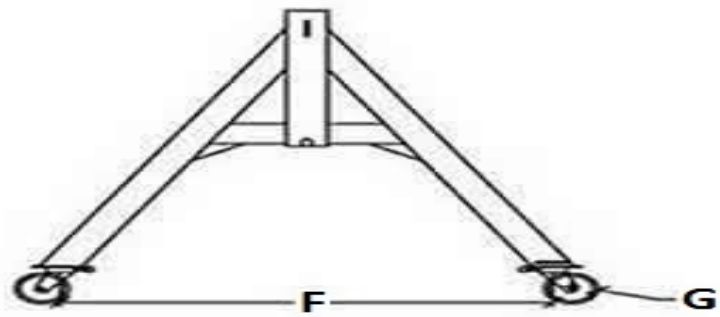
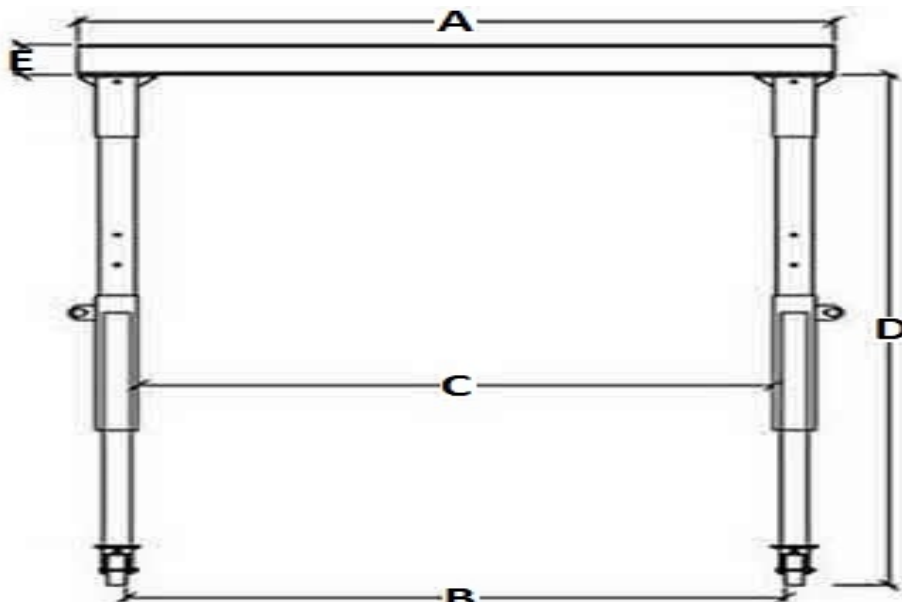


-	A	B	C	D	D	E	F	G	-	-
Capacity (Lbs.)	Overall Span	Span Between Wheels	Clearance Span	Max. Height Under Beam	Min. Height Under Beam	I-Beam Depth	Wheel Tread	Caster Dia. (4 Pos.) Locking	Est. Weight (Lbs)	Model #
2,000	8'0"	7'1"	6'10"	8'8"	6'2"	6"	4'6"	6"	178	A2P8104F
	8'0"	7'1"	6'10"	10'0"	7'6"	6"	4'6"	6"	182	A2P810F
	8'0"	7'1"	6'10"	12'0"	9'6"	6"	4'6"	6"	219	A2P812F
	10'0"	9'1"	8'10"	8'8"	6'2"	6"	4'6"	6"	195	A2P10104F
	10'0"	9'1"	8'10"	10'0"	7'6"	6"	4'6"	6"	200	A2P1010F
	10'0"	9'1"	8'10"	12'0"	9'6"	6"	4'6"	6"	236	A2P1012F
	12'0"	11'1"	10'10"	8'8"	6'2"	8"	4'6"	6"	219	A2P12104F
	12'0"	11'1"	10'10"	10'0"	7'6"	8"	4'6"	6"	224	A2P1210F
	12'0"	11'1"	10'10"	12'0"	9'6"	8"	4'6"	6"	260	A2P1212F
	15'0"	14'1"	13'10"	8'8"	6'2"	10"	4'6"	6"	275	A2P15104F
	15'0"	14'1"	13'10"	10'0"	7'6"	10"	4'6"	6"	279	A2P1510F
15'0"	14'1"	13'10"	12'0"	9'6"	10"	4'6"	6"	316	A2P1512F	
2,000	18'0"	17'1"	16'10"	8'8"	6'2"	1'0"	4'6"	6"	406	A2P18104F *
	18'0"	17'1"	16'10"	10'0"	7'6"	1'0"	4'6"	6"	411	A2P1810F *
	18'0"	17'1"	16'10"	12'0"	9'6"	1'0"	4'6"	6"	447	A2P1812F *
	20'0"	19'1"	18'10"	8'8"	6'2"	1'0"	4'6"	6"	435	A2P20104F *
	20'0"	19'1"	18'10"	10'0"	7'6"	1'0"	4'6"	6"	440	A2P2010F *
	20'0"	19'1"	18'10"	12'0"	9'6"	1'0"	4'6"	6"	477	A2P2012F *
* Capped I Beam										
Options	Cart Assembly								4	CA15
	Caster Brakes									CB
	Kick Stand Assembly									KSA
	Custom Hole Spacing's									CHS
	Swirled Finish's									SF
	Custom I-Beam Lengths									IBL
	Custom Heights									CH
Ask about our gantry upgrades!										



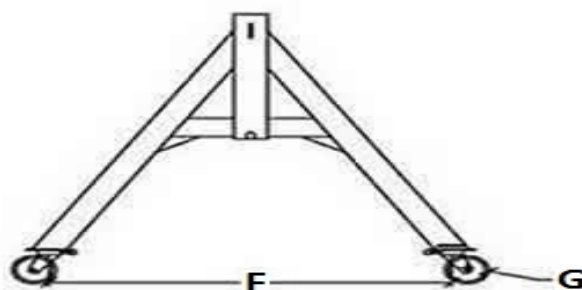
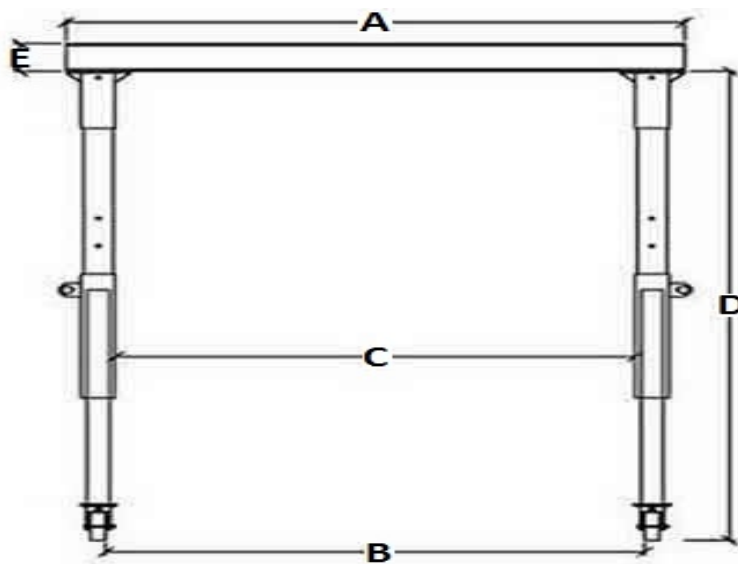
Capacity (Lbs.)	A Overall Span	B Span Between Wheels	C Clearance Span	D Max. Height Under Beam	D Min. Height Under Beam	E I-Beam Depth	F Wheel Tread	G Caster Dia. (4 Pos.) Locking	Est. Weight (Lbs)	Model #
4,000	8'0"	7'1"	6'10"	8'8"	6'2"	8"	4'8"	6"	314	A4P8104F
	8'0"	7'1"	6'10"	10'0"	7'6"	8"	4'8"	6"	326	A4P810F
	8'0"	7'1"	6'10"	12'0"	9'6"	8"	4'8"	6"	344	A4P812F
	10'0"	9'1"	8'10"	8'8"	6'2"	10"	4'8"	6"	351	A4P10104F
	10'0"	9'1"	8'10"	10'0"	7'6"	10"	4'8"	6"	363	A4P1010F
	10'0"	9'1"	8'10"	12'0"	9'6"	10"	4'8"	6"	381	A4P1012F
	12'0"	11'1"	10'10"	8'8"	6'2"	1'0"	4'8"	6"	395	A4P12104F
	12'0"	11'1"	10'10"	10'0"	7'6"	1'0"	4'8"	6"	407	A4P1210F
	12'0"	11'1"	10'10"	12'0"	9'6"	1'0"	4'8"	6"	425	A4P1212F
	15'0"	14'1"	13'10"	8'8"	6'2"	1'0"	4'8"	6"	428	A4P15104F
	15'0"	14'1"	13'10"	10'0"	7'6"	1'0"	4'8"	6"	440	A4P1510F
	15'0"	14'1"	13'10"	12'0"	9'6"	1'0"	4'8"	6"	458	A4P1512F
4,000	18'0"	17'1"	16'10"	8'8"	6'2"	1'0"	4'8"	6"	526	A4P18104F **
	18'0"	17'1"	16'10"	10'0"	7'6"	1'0"	4'8"	6"	538	A4P1810F **
	18'0"	17'1"	16'10"	12'0"	9'6"	1'0"	4'8"	6"	556	A4P1812F **
	20'0"	19'1"	18'10"	8'8"	6'2"	1'0"	4'8"	6"	556	A4P20104F **
	20'0"	19'1"	18'10"	10'0"	7'6"	1'0"	4'8"	6"	568	A4P2010F **
	20'0"	19'1"	18'10"	12'0"	9'6"	1'0"	4'8"	6"	586	A4P2012F **
* Capped I Beam										
** Capped I Beam with special conditions										
Options	Cart Assembly								9	CA24
	Caster Brakes									CB
	Kick Stand Assembly									KSA
	Custom Hole Spacing's									CHS
	Swirled Finish's									SF
	Custom I -Beam Lengths									IBL
	Custom Heights									CH

Ask about our gantry upgrades!



Fourteen high models listed below.

-	A	B	C	D	D	E	F	G	-	-
Capacity (Lbs.)	Overall Span	Span Between Wheels	Clearance Span	Max. Height Under Beam	Min. Height Under Beam	I-Beam Depth	Wheel Tread	Caster Dia. (4 Pos.) Locking	Est. Weight (Lbs)	Model #
1,000	8'0"	7'1 1/2"	6'10 3/4"	14'0"	11'0"	4"	6'5 1/4"	6"	291	A1P814F
	10'0"	9'1 1/2"	8'10 3/4"	14'0"	11'0"	6"	6'5 1/4"	6"	309	A1P1014F
	12'0"	11'1 1/2"	10'10 3/4"	14'0"	11'0"	8"	6'5 1/4"	6"	341	A1P1214F
	15'0"	14'1 1/2"	13'10 3/4"	14'0"	11'0"	8"	6'5 1/4"	6"	362	A1P1514F
2,000	8'0"	7'1 1/2"	6'10 3/4"	14'0"	11'0"	6"	6'5 1/4"	6"	345	A2P814F
	10'0"	9'1 1/2"	8'10 3/4"	14'0"	11'0"	6"	6'5 1/4"	6"	363	A2P1014F
	12'0"	11'1 1/2"	10'10 3/4"	14'0"	11'0"	8"	6'5 1/4"	6"	387	A2P1214F
	15'0"	14'1 1/2"	13'10 3/4"	14'0"	11'0"	10"	6'5 1/4"	6"	452	A2P1514F
4,000	8'0"	7'0 1/2"	6'10 3/4"	14'0"	11'0"	8"	6'5 1/4"	6"	465	A4P814F***
	10'0"	9'0 1/2"	8'10 3/4"	14'0"	11'0"	10"	6'5 1/4"	6"	505	A4P1014F***
	12'0"	11'0 1/2"	10'10 3/4"	14'0"	11'0"	1'0"	6'5 1/4"	6"	555	A4P1214F***
	15'0"	14'0 1/2"	13'10 3/4"	14'0"	11'0"	1'0"	6'5 1/4"	6"	580	A4P1514F***
*** Uses I Beam Braces										
Options	Caster Brakes									CB
	Custom Hole Spacing's									CHS
	Swirled Finish's									SF
	Custom I-Beam Lengths									IBL
	Custom Heights									CH
Ask about our gantry upgrades!										

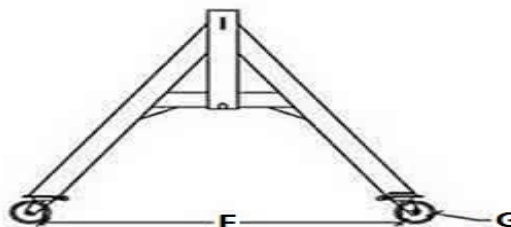
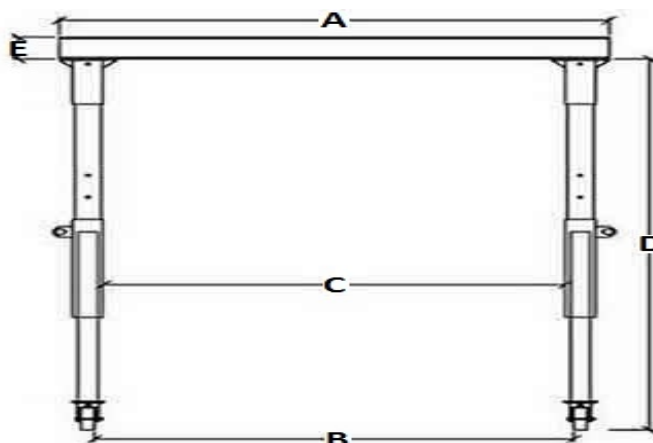


6,000 & 8,000 Lb. Capacity Aluminum Gantries

What is there to say! We came out with our aluminum 6,000 lb. capacity crane in 2000. Again, as far as we know, another first in the industry. Others then followed. In 2005 we upped to the next level with our 8,000 lb. capacity. Both models are constructed of the same 6061 T6 aluminum. Our 8,000 has reached the limits of some aluminum structures such as I-beam. We manufacture using the largest I-beam available to date, therefore limiting are overall span. These are for individuals or companies with larger lifting needs. Both 6,000 and 8,000 models come standard with 2 cable lifting winches (not shown) for height adjustment, also has fully adjustable legs widths as well as having four position locking polyurethane casters.

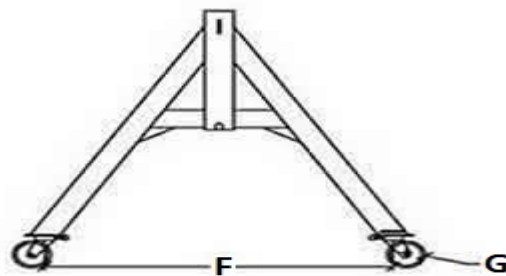
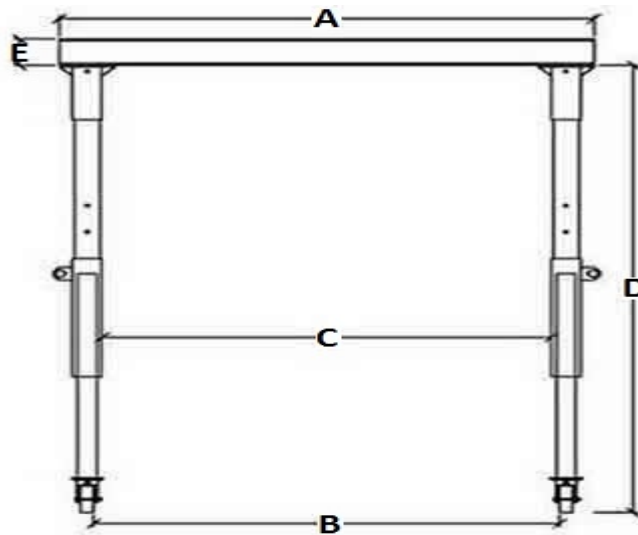
-	A	B	C	D	D	E	F	G	-	-
Capacity (Lbs.)	Overall Span	Span Between Wheels	Clearance Span	Max. Height Under Beam	Min. Height Under Beam	I-Beam Depth	Wheel Tread	Caster Dia. (4 Pos.) Locking	Est. Weight (Lbs)	Model #
6,000	8'0"	6'10"	6'7"	10'0"	8'0"	10"	4'8"	8"	410	A6P810F
	8'0"	6'10"	6'7"	12'0"	10'0"	10"	4'8"	8"	467	A6P812F
	10'0"	8'10"	8'7"	10'0"	8'0"	10"	4'8"	8"	449	A6P1010F
	10'0"	8'10"	8'7"	12'0"	10'0"	10"	4'8"	8"	507	A6P1012F
	12'0"	10'10"	10'7"	10'0"	8'0"	10"	4'8"	8"	471	A6P1210F
	12'0"	10'10"	10'7"	12'0"	10'0"	10"	4'8"	8"	529	A6P1212F
	15'0"	13'10"	13'7"	10'0"	8'0"	10"	4'8"	8"	504	A6P1510F
	15'0"	13'10"	13'7"	12'0"	10'0"	10"	4'8"	8"	562	A6P1512F
6,000	18'0"	16'10"	16'7"	10'0"	8'0"	10"	4'8"	8"	603	A6P1810F **
	18'0"	16'10"	16'7"	12'0"	10'0"	10"	4'8"	8"	660	A6P1812F **
* Capped I Beam										
** Capped I Beam with special conditions										
Options	Caster Brakes									CB
	Kick Stand Assembly								9	KSA
	Custom Hole Spacing's									CHS
	Swirled Finish's									SF
	Custom I-Beam Lengths									IBL
	Custom Heights									CH

Ask about our gantry upgrades!



-	A	B	C	D	D	E	F	G	-	-
Capacity (Lbs.)	Overall Span	Span Between Wheels	Clearance Span	Max. Height Under Beam	Min. Height Under Beam	I-Beam Depth	Wheel Tread	Caster Dia. (4 Pos.) Locking	Est. Weight (Lbs)	Model #
8,000	8'0"	6'10"	6'7"	9'0"	7'0"	1'0"	4'8"	10"	548	A8P89F
	8'0"	6'10"	6'7"	10'0"	8'0"	1'0"	4'8"	10"	565	A8P810F
	10'0"	8'10"	8'7"	9'0"	7'0"	1'0"	4'8"	10"	570	A8P109F
	10'0"	8'10"	8'7"	10'0"	8'0"	1'0"	4'8"	10"	587	A8P1010F
8,000	12'0"	10'10"	10'7"	9'0"	7'0"	1'0"	4'8"	10"	592	A8P129F *
	12'0"	10'10"	10'7"	10'0"	8'0"	1'0"	4'8"	10"	609	A8P1210F *
* Capped I Beam										
Options	Caster Brakes									CB
	Kick Stand Assembly									KSA
	Custom Hole Spacing's									CHS
	Swirled Finish's									SF
	Custom I-Beam Lengths Beyond 10 feet a Steel I Beam must be used.									IBL

Ask about our gantry upgrades!



Shipping

Overseas shipping is no trouble. We have shipping world wide for 20 years.